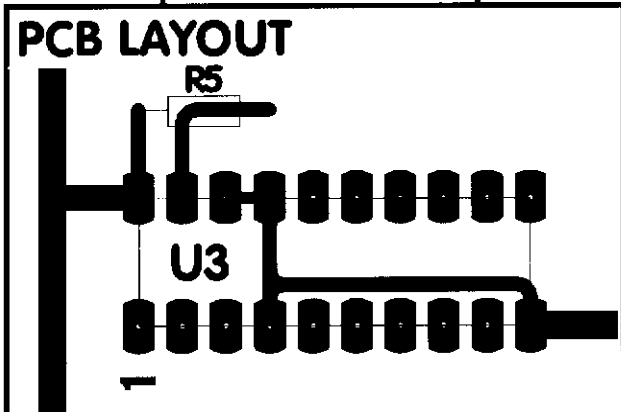
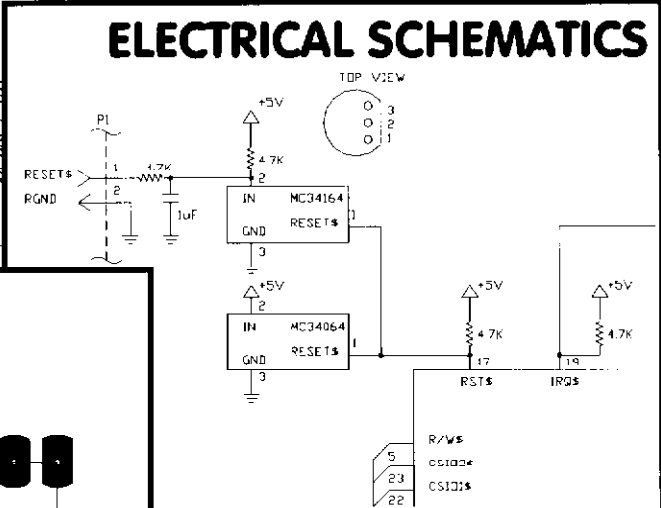
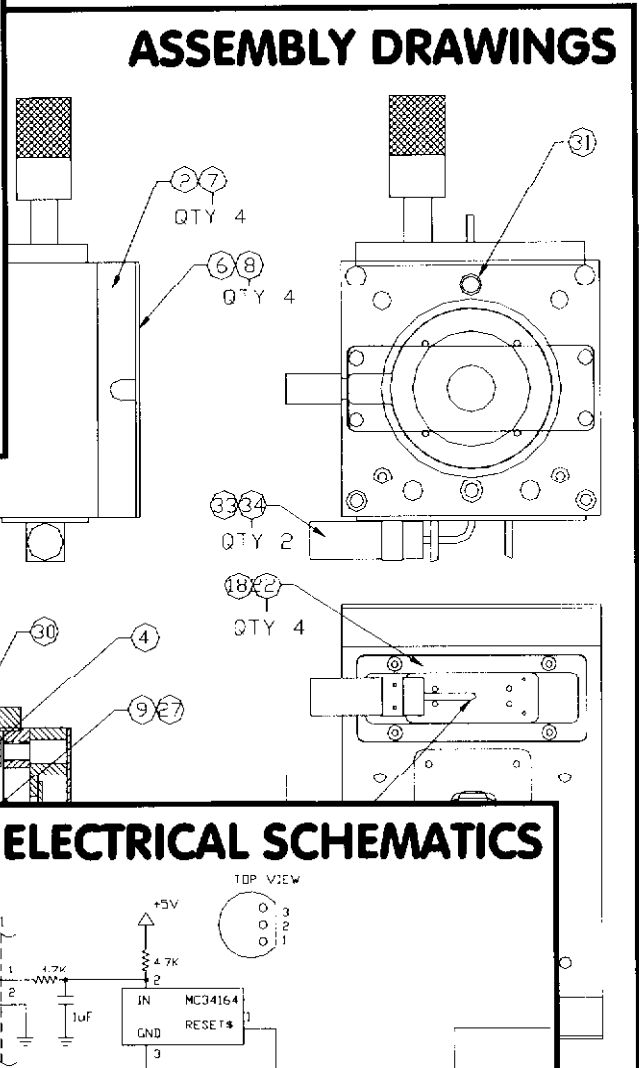
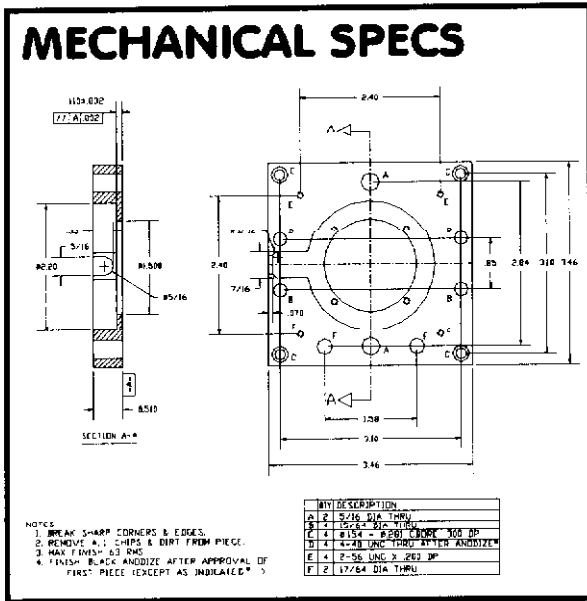


# DESIGN & DRAFTING



PROFICIENCY IN AUTOCAD RELEASE 11 AND RELEASE 12 FOR WINDOWS, IN ADDITION TO AME (3D) AND HP ME-10.